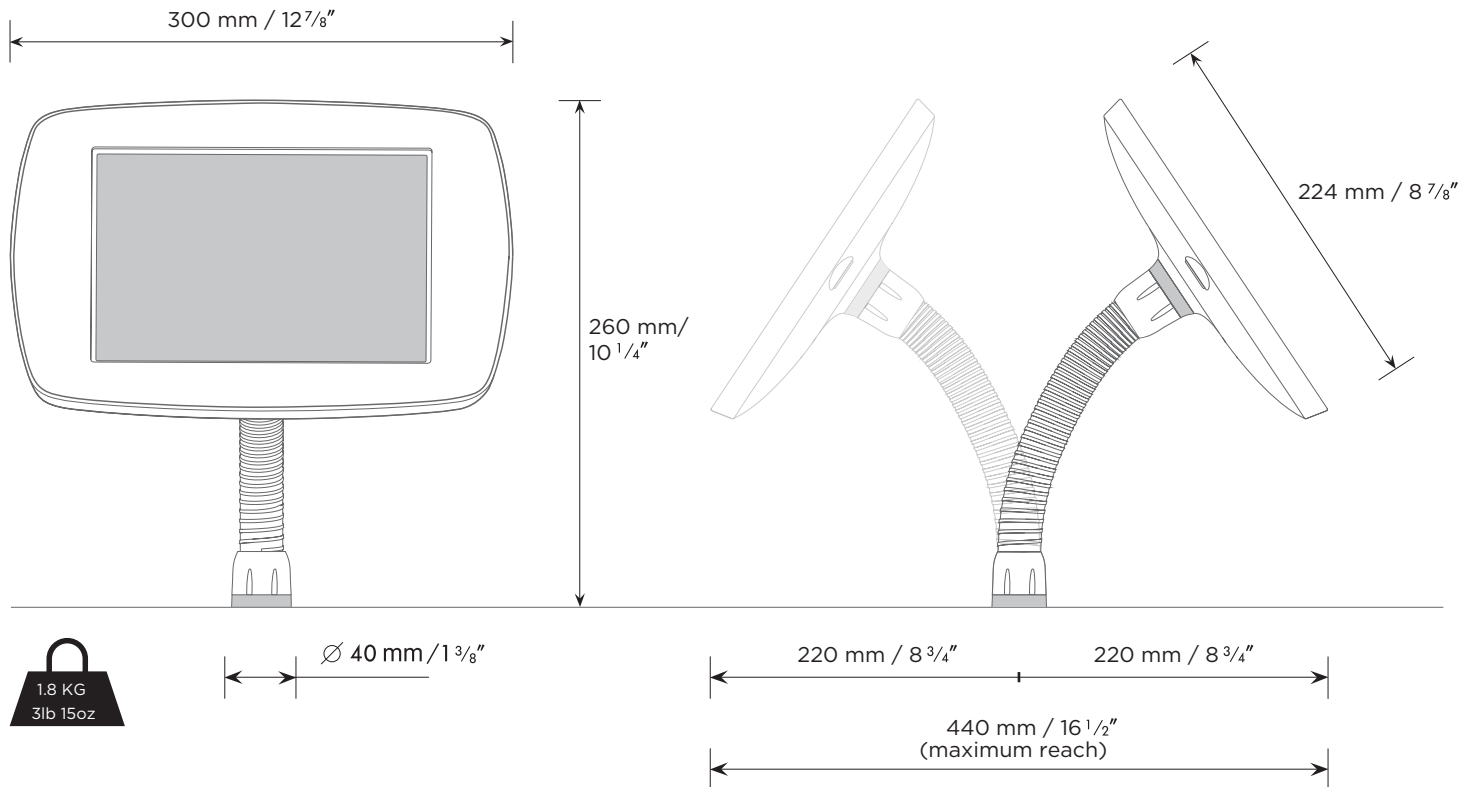
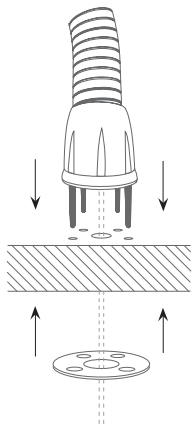


## Data sheet : Bouncepad Flex

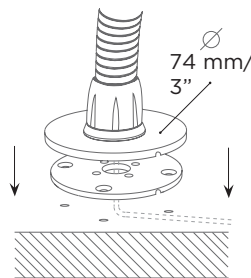
The Bouncepad Flex gives you the freedom to move the screen to any position and once released, your Bouncepad stays put. You can also easily twist the screen between landscape and portrait orientation.



## Mounting Options



**Mount from below surface**  
 Not suitable for surfaces thicker than 35 mm / 1<sup>3</sup>/<sub>8</sub>"



**Mount from above surface**  
 Suitable for all thicknesses.

## Materials

<b>Tablet case</b>	PC/ABS
<b>Faceplate</b>	Stainless steel (powdercoated)
<b>Mounting arm</b>	Brass and Aluminium Lacquered
<b>Mounting plate</b>	Aluminium

## Configuration Options

<b>Colour</b>	White / Black/Custom
<b>Feature access</b>	Covered home button / Covered front camera Covered home button / Exposed front camera Exposed home button / Covered front camera Exposed home button / Exposed front camera
<b>Tablet models</b>	iPad 2 / iPad 3 / iPad with Retina Display / iPad Air 1 & 2
<b>Cable</b>	Not provided