

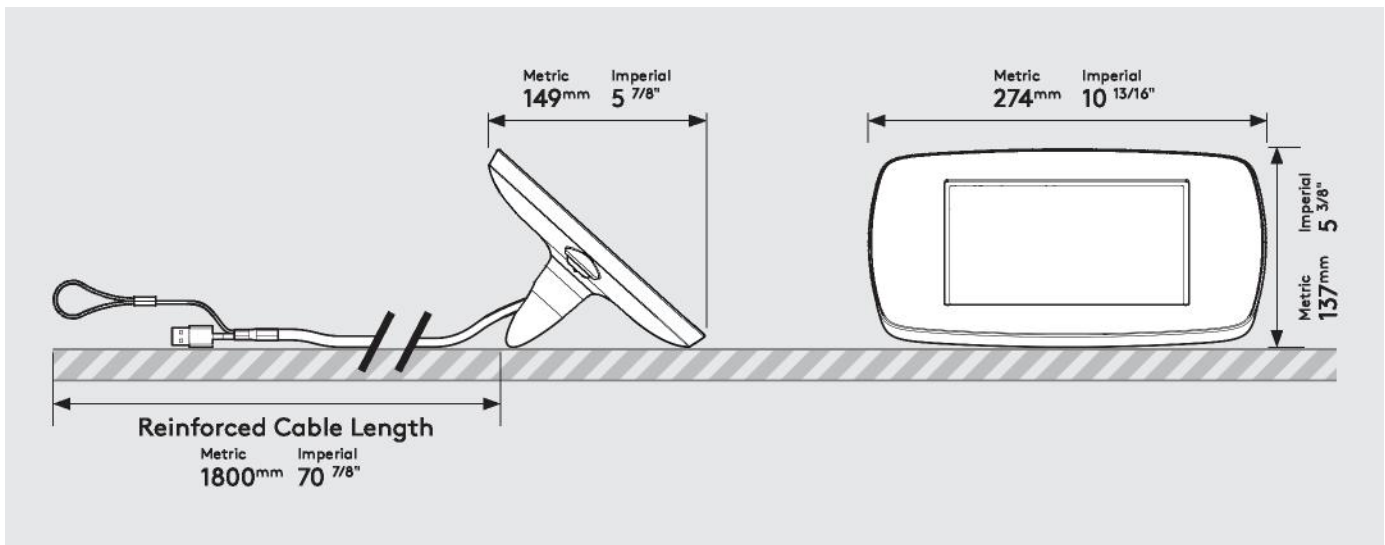
Bouncepad Lounge

The Bouncepad Lounge allows full mobility and user collaboration while keeping your tablet tethered by the power cable. This lightweight solution is the most versatile and group friendly Bouncepad product, often used in lounge areas and receptions.



PRODUCT DATA SHEET - LOUNGE (MINI CASE)

Case:	Arm:	Mounting:	Packaged weight:	Colour:
Mini	Lounge	Not Applicable	1.44kg	White Black



Parts in the Box

